

# Bursting Strength Tester - Digital



**MODEL No. PBD - 400**

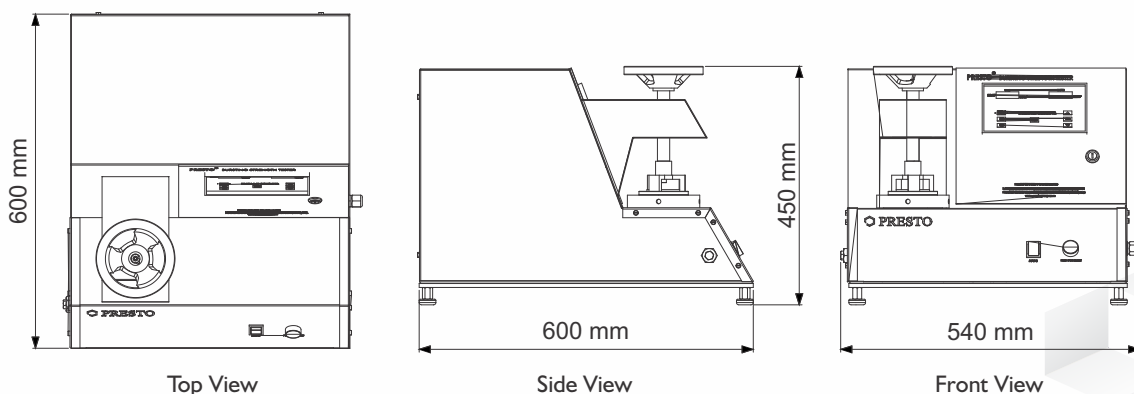
**Registered Design No. 279109**

**Bursting Strength Tester Digital** is a consistent tool to indicate the Strength and performance of material like Rexine , leather, paper boards, paper, uneven boards and boxes, industrial fabric and solid fiber boards, filter cloth, plastic films, Foils, sheets, etc. PRESTO Bursting Strength Tester is manufactured under various Test Standards ASTM D 3786-01, ASTM D 3786 – 80A, ISO 1060 PART-1 1987.

Available in Various models like Analogue, Digital Pneumatic, Computerized cum digital model with Manual Clamping and Computerized cum digital model with pneumatic clamping.

- Single Push Button Operation
- Microprocessor based display for accurate test results
- Peak Hold facility for keeping maximum value of test result in memory
- Memory to hold up to 9 test reading
- Highly accurate test results under multidirectional Force
- Strong Gripping clamps
- Grooved structure of Test Specimen Holder to avoid slippage and intact holding of specimen under test
- No slippage in case specimen is tightened uniformly using operating wheel
- Bright LED display
- Feather touch controls
- Calibration lock & key feature

Bursting strength is the force required to burst or rupture the material under testing. Bursting strength of test specimen is expressed in terms of Kg/cm<sup>2</sup>. It is measured by giving hydraulic pressure through a rubber diaphragm on the test specimen.



### Key Specifications:

Capacity	40 kg/cm <sup>2</sup>
Display	LED (Digital)
Accuracy	± 1% within 10% to 90% of entire range as per IS 1828 with master gauge
Least Count/Resolution	0.1 Kg/cm <sup>2</sup>
Power	220V, Single phase, 50 Hz
Test fluid	Glycerin about 98% purified (lab grade)
Rate of fluid displacement	95 cc/minute
Motor	1/4 HP Single Phase, 1440 rpm
Test Range	1Kg / cm <sup>2</sup> to 38 Kg / cm <sup>2</sup>

### Optional Features:

Pneumatic and computerized models also available (with or without printer facility)  
The Bursting strength in Kg/cm<sup>2</sup> of the test specimen is displayed on the digital display. Thereafter bursting factor and burst index can be calculated by the user.

### Standard Accessories :

- 100 ML Glycerin bottle 1no.
- Rubber Diaphragm pack of 2 nos.
- Calibrated Aluminium foil pack of 4 nos.
- Screw Driver 1 no.
- Glycerin bowl opening wrench 1 no.

### Highlights:

Memory(to hold test value)	Up to 9 test values
Peak Hold Facility	Yes
Safety Switch	Yes
Material	Mild Steel
Finish	Powder coated Havel Gray & Blue combination finish and bright chrome / zinc plating for corrosion resistant finish
Dimensions	540x 600x 450 mm

Thank you customers for choosing us as your partners in growth !



\*All the above logos are the sole property of their respective owners and are used purely for depiction purposes only.

### OUR OTHER PRODUCTS :-



### Head Office : Presto Stantest Private Limited

I-42, DLF Industrial Area Phase-I, Delhi Mathura Road, Faridabad 121003, Haryana, India  
P : +91 129 4272727 E : info@prestogroup.com

### Branches :

#### Mumbai

503-504B, Fair link Centre, Opp. Fame Adlab  
Behind Mongini's Off Link Road  
Andheri (West), Mumbai 400058  
P : +91 022 42957052, 42957053  
E : west@prestogroup.com

#### Kolkata

93, 3<sup>rd</sup> Floor, Karnani Estate  
209, A.J.C. Bose Road  
Kolkata-700017. West Bengal  
P : +91 033 40612012  
E : east@prestogroup.com

#### Chennai

A-3, First Floor, Sri Sathya Sai Building  
755, Poonamallee High Road, Kilpauk  
Chennai- 600 010. Tamil Nadu  
P : +91 044 43865260, 43838372  
E : south@prestogroup.com

