

Hot Wire Bottle Cutter – NXG Model

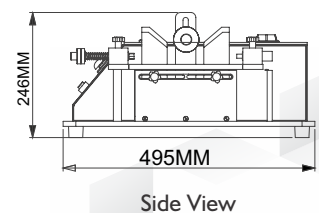
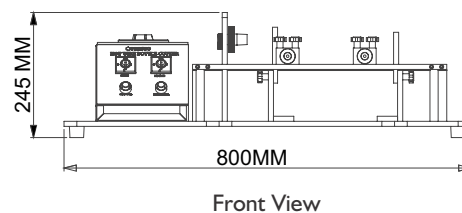
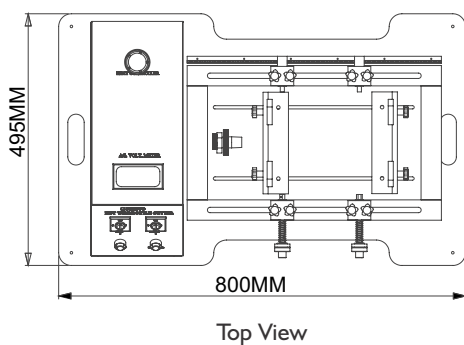


Model No.: PHWBC-NXG

Registered Design No. 252608

Hot Wire Bottle Cutter - NXG is a new generation tester used for accurate section weight analysis of PET bottles and containers. It displays heat monitoring in digital format. An efficient instrument for ideal and smooth cutting of test sample with the help of canthal heated cutting wires.

- Strong clamping holder for zero slip gripping support
- Digital Display of heating for accuracy and repeatability
- Rapid heat up of wires for sample cutting
- Precise measurement of test sample section weight analysis
- Length, Width adjustable clamping mechanism to hold different size of bottles
- Inbuilt with cutting wire tension adjustment
- Equipped with Variable Voltage Potentiometer for heat control
- Strong and rugged base plate
- Available in 2-wire and 3-wire configuration
- Adjustable fixture to test different size test bottles



Hot Wire Bottle Cutter is designed to provide accurate and precision based weight analysis of PET bottles, Jars and containers when subjected to section weight analysis cutting with heated wires. The instrument is used for testing the weight of each section of bottle after being cut.

Key Specifications:

Bottle Neck Holder	21.74 mm (Other Sizes available on request)
Heat Control	Variable through Port
Heating Method	Kanthal Element wire
Power	220V , Single phase, 50 Hz
No. of Heating wires	Standard 2
Maximum Diameter of Bottle	130 mm**
Sample Cut length	Adjustable min. 60 mm & Max. 320 mm

** Other sizes available as per requirement

Highlights:

Heating levels	Low, Medium, High
Heat Monitoring	Digital Display
Material	Aluminum / Stainless steel
Finish	Powder coated Havel Gray & Blue combination finish and bright stainless steel for corrosion resistant finish
Dimensions	800x495x245 mm

Optional :

- Weighing balance extra not part of the Instrument.
- 3 wires model and different sample diameter also available on request

Thank you customers for choosing us as your partners in growth !



*All the above logos are the sole property of their respective owners and are used purely for depiction purposes only.

OUR OTHER PRODUCTS :-



Head Office : Presto Stantest Private Limited

I-42, DLF Industrial Area Phase-I, Delhi Mathura Road, Faridabad 121003, Haryana, India
 P : +91 129 4272727 E : info@prestogroup.com

Branches :

Mumbai

503-504B, Fair link Centre, Opp. Fame Adlab Behind Mongini's Off Link Road Andheri (West), Mumbai 400058
 P : +91 022 42957052, 42957053
 E : west@prestogroup.com

Kolkata

93, 3rd Floor, Karnani Estate 209, A.J.C. Bose Road Kolkata-700017. West Bengal
 P : +91 033 40612012
 E : east@prestogroup.com

Chennai

A-3, First Floor, Sri Sathya Sai Building 755, Poonamallee High Road, Kilpauk Chennai- 600 010. Tamil Nadu
 P : +91 044 43865260, 43838372
 E : south@prestogroup.com

