



Box Compression Tester Digital Mini



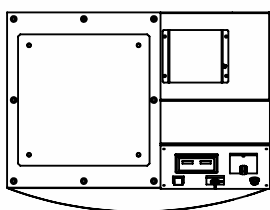
This equipment is designed to measure ability of the Mini cartons or printed Duplex cartons to resist external compression loads during transit and storage. It is important to evaluate the Compression Strength of the Box in order to make sure that the box will be able to resist the anticipated compressive forces and to determine the load that the box will be able to withstand during transit and storage.

The cardboard strength and construction directly impact the amount of weight a box can carry. A box too weak might puncture or collapse. On the other hand, an excessive box means you pay extra for material and add to environmental wastage.

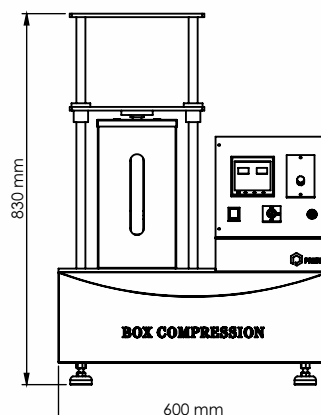
PRESTO Mini Box Compression Tester is manufactured under various Test Standards ASTM D642, ASTM D4169, TAPPI T804, ISO 12048, and JIS Z0212

Key Features:

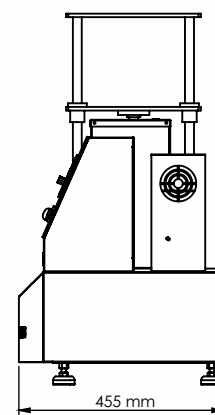
- Inbuilt calibration facility
- Direct Digital Readout of Compression Strength and Deflection
- Provision of faster speed for approach and return to top of specimen
- Sophisticated electronic controls for precision and easy operation
- Microprocessor based display for accurate test results
- TARE and Peak Hold Facility Available
- Over travel protection
- Over load Protection



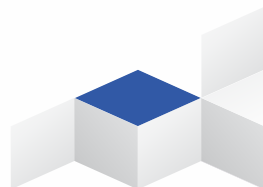
Top view



Front view



Side view





Presto Stantest Pvt. Ltd.

I-42, DLF Industrial Area Phase-1, Delhi Mathura Road, Faridabad 121003, Haryana, India
P : 9210 903 903, +91 129 4272727, 93111 24302 E : info@prestogroup.com

- Faridabad • Sonipat • Kolkata • Mumbai • Pune • Ahmedabad
- Chennai • Bangalore • Hyderabad

www.prestogroup.com



Technical Details

Display	LED (Digital)
Accuracy	± 2% full scale (with master load)
Load cell Capacity	100 kgf
least count	100 g /0.1 kgf
Platform Size	250 *250 mm
Maximum Sample size that can be tested	200*200 mm
Test Speed	12.5 ± 2.5 mm/min
Power supply	220V, Single phase, 50 Hz
Material	Mild Steel
Finish	Powder coated Havel Gray & Blue combination finish and bright chrome / zinc plating for corrosion resistant finish

Thank you customers for choosing us as your partners in growth !



*All the above logos are the sole property of their respective owners and are used purely for depiction purposes only.

OUR OTHER PRODUCTS :-

					
Box Compression Tester	Scuff Resistance Tester	Tensile Tester Digital	Spectrocolorimeter	Cobb Sizing Tester	Digital GSM Balance

