

Glossmeter Tri Angle



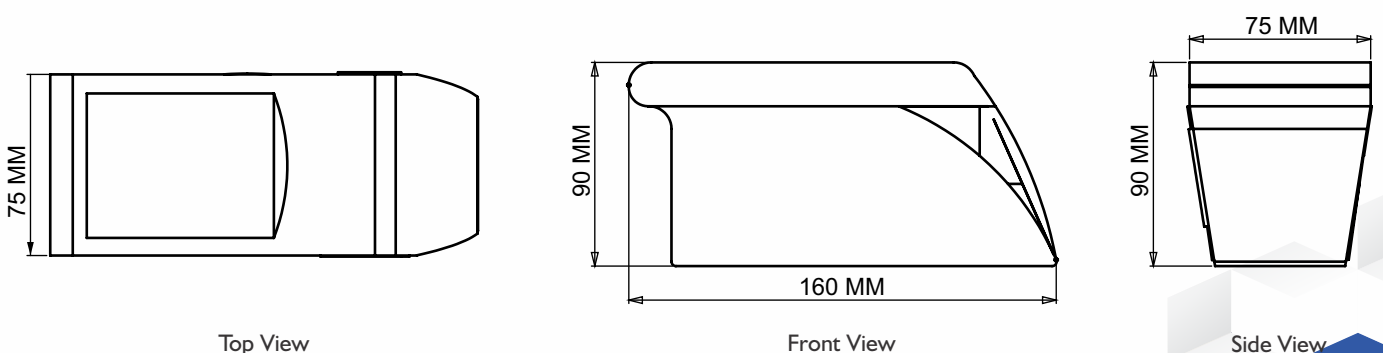
Model No. TKT 862

Glossmeter Tri Angle is a consistent tool useful to measure the gloss reflection on the surface of the material. It is an extremely appropriate testing device to test the gloss of different products such as plastics, metals, paints, papers and ceramics. Glossmeter Tri Angle complies with various ASTM D2457, ASTM D523, ISO2813, GB/T 9754 Standards.

- Capacitive Touchscreen featured
- Software based output of test results
- Simultaneous measurement by Triple standard angles- 20-degree, 60-degree, and 85-degree
- Facility of auto-calibrating data available
- Auto save function enables test data to be saved automatically
- Aesthetic design with ergonomics structure
- Display multiple sets of data for easy and quick comparison
- USB Communication Interface
- Auto power off function
- Data Management allows user to check, delete, export or print record
- Protective cover to protect the measuring aperture
- Print facility available (through software)
- Option for export to pdf & word file for all test results
- Statistical mode to display deviation, conclusion, diagram area etc. of test records
- Portable and ease of use instrument with handy battery



Glossmeter Tri Angle is designed specifically to measure the gloss of a particular surface and to ascertain the amount of light which is redirected from the material. It provides great correlation of shining or visual gloss when the sample is placed flat. The correlation of the glass changes if the sample is tilted from the flat position. The procedure is used to measure the shine, appearance, and quality of the products.



Key Specifications:

Measurement Angle	<ul style="list-style-type: none"> • 20° • 60° • 85°
Measuring area	<ul style="list-style-type: none"> • 10*10 mm(for 20°) • 9*15 mm(for 60°) • 5*36 mm(for 85°)
Measuring range	<ul style="list-style-type: none"> • 0 ~ 1000GU (for 20°) • 0 ~ 1000GU (for 60°) • 0 ~ 160GU(for 85°)
Division Value	0.1GU
Range	100-1000GU, 10-100GU, 0-10GU
Accuracy/Reproducibility	± 0.5%GU, ± 0.5GU, ± 0.2GU
Repeatability	± 0.2%GU, ± 0.2GU, ± 0.1GU

Highlights:

Battery	Li-on battery (Lithium Ion)
Measurement Standard	JJG696
Chromaticity corresponding	CIE 1931(2°) under CIE C light source
Touchscreen Display	Capacitive
Communication Port	USB
Dimensions	90x77x230 mm

The test provides good correlation with visual gloss or shining of the flat object. The correlation reduces if the sample changes from being flat. The testing procedure has an extensive use to measure partially the surface quality and shining appearance.

The instrument is used for measuring the gloss or brightness of Paints; Opaque Glasses; Plastics; Ceramics; Porcelains; Paper; Cloths; Pigments; Powder etc.

Standard Accessories:

1. Power Adaptor
2. USB Cable
3. Calibration Plate

Thank you customers for choosing us as your partners in growth !



*All the above logos are the sole property of their respective owners and are used purely for depiction purposes only.

OUR OTHER PRODUCTS :-



Head Office : Presto Stantest Private Limited

I-42, DLF Industrial Area Phase-I, Delhi Mathura Road, Faridabad 121003, Haryana, India
 P : +91 129 4272727 E : info@prestogroup.com

Branches :

Mumbai

503-504B, Fair link Centre, Opp. Fame Adlab
 Behind Mongini's Off Link Road
 Andheri (West), Mumbai 400058
 P : +91 022 42957052, 42957053
 E : west@prestogroup.com

Kolkata

93, 3rd Floor, Karnani Estate
 209, A.J.C. Bose Road
 Kolkata-700017. West Bengal
 P : +91 033 40612012
 E : east@prestogroup.com

Chennai

A-3,First Floor, Sri Sathya Sai Building
 755, Poonamallee High Road, Kilpauk
 Chennai- 600 010. Tamil Nadu
 P : +91 044 43865260, 43838372
 E : south@prestogroup.com

