



Balloon Burst Tester

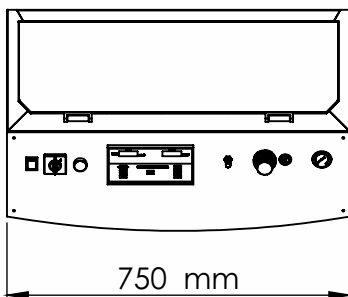


Model No. BBT - 707 S

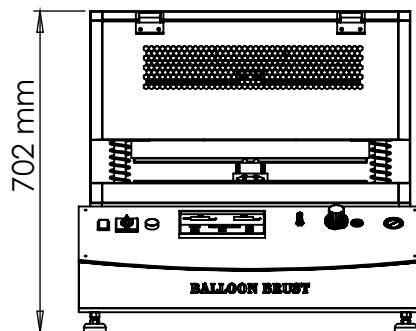
Balloon Burst Tester – Balloon Burst Test is a seal integrity test wherein an empty 3 side pre-sealed pouch is clamped on the 4th open side and air injected into it. You can increase pressure upto a certain pressure and check for leakages or you can keep increasing the pressure to measure the peak pressure before the pouch bursts.

- Single Push Button Operation
- Auto Sample Locking under selectable pressure range
- Microprocessor based display for accurate test results
- Peak Hold facility for keeping maximum value of test result in memory
- Memory to hold up to 9 test reading
- Highly accurate test results under multidirectional Pneumatic Force
- Strong Gripping clamps
- Rubber padding of Test Specimen Holder to avoid slippage and intact holding of specimen under test
- Calibration lock & key feature

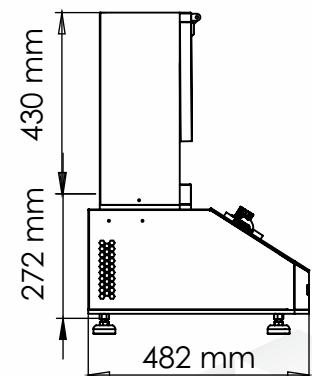
Force required to burst or rupture the material under testing. Balloon Burst of test specimen is expressed in terms of Kg/cm². It is measured by giving Pneumatic pressure through a steel nozzle on the test specimen. Seal strength detector determines seal performance, seal quality, burst pressure and joint/disengaging force of flexible packages.



Top View



Side View



Front View



Presto Stantest Pvt. Ltd.

I-42, DLF Industrial Area Phase-1, Delhi Mathura Road, Faridabad 121003, Haryana, India
P : 9210 903 903, +91 129 4272727, 93111 24302 E : info@prestogroup.com

- Faridabad • Sonipat • Kolkata • Mumbai • Pune • Ahmedabad
- Chennai • Bangalore • Hyderabad

www.prestogroup.com



Key Specifications:

Capacity	10 kg/cm ²
Display	LED (Digital)
Specimen Clamping	Pneumatic
Accuracy	± 1% within 10% to 90% of entire range as per IS: 1828 with master gauge
Least Count/Resolution	0.01 Kg/cm ²
Pressure Sensor	Pressure Transducer
Power	220V, Single Phase, 50 Hz
Clamp Area	500mm Length x 48 mm width
Upper & lower jaw gap	30 mm
Nozzle	Steel
Test Range	1Kg / cm ² to 10 Kg / cm ²

Highlights:

Memory (to hold test value)	Up to 9 Test values
Peak Hold Facility	Yes
Sample clamping pad	Yes
Dimensions	750X482X702 mm
Sample Clamp Pressure	2 - 5 Bar

* Air compressor not a part of supply

Optional Features:

- Digital cum computerized models also available

Thank you customers for choosing us as your partners in growth !



*All the above logos are the sole property of their respective owners and are used purely for depiction purposes only.

OUR OTHER PRODUCTS :-

					
Box Compression Tester Digital cum Computerised	Scuff Resistance Tester	Tensile Tester Digital	Spectrocolorimeter	Cobb Sizing Tester	Digital GSM Balance

