

# Secure Seal Tester – NXG



**Model No. PSST-0114 NXG**

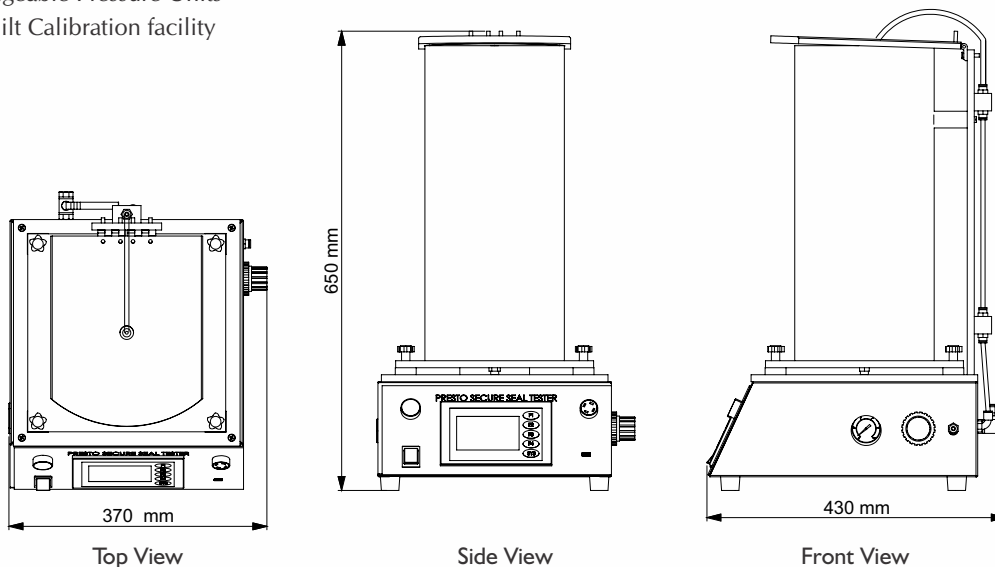
**Registered Design No. 252610**

**Secure Seal Tester – Next Generation Model** is a consistent tool useful to measure the seal integrity on Plastic containers. This instrument has been designed to address the special needs of sealed carbonated beverage containers that use aluminum roll on, twist crowns or plastic caps.

- HMI based Touchscreen Model
- Microprocessor based controls
- Automatic sample testing through easy pressure release mechanism
- Pressure, Inlet Pressure setting and Preset Timer functions incorporated in HMI for accuracy and repeatability
- Pressure Vs Time graph of the output
- Program profile for selecting test parameters and performing the test.
- Easy Data Management. User can create product identification, test pressure, time etc.
- USB option available for storing test data
- Data output in graphical and data record format.
- Current test running status display
- Changeable Pressure Units
- Inbuilt Calibration facility

### Software Feature :

- Touch screens comply with IP65 / NEMA4 standards CE & UL approved
- 4.3" TFT LCD 65536 colours
- ARM9 32-bit CPU; Function keys
- 640 x 480pixels
- 8M Flash Memory
- 512K bytes
- SRAM Supports SM card



**Key Specifications:**

Display	HMI Based touchscreen
Equipment Range	220 psi
Test Range	175 psi
Accuracy	± 2% at full range
Least Count/Resolution	0.1 psi
Power	220V , Single phase, 50 Hz
Pressure Unit	Inbuilt in HMI (changeable in Kg/cm <sup>2</sup> psi, bar or lb/inch <sup>2</sup> )
Inner Diameter of testing container	200 mm ± 10 mm
Timer	Inbuilt in HMI Preset upto 999 seconds
Pressure Release	Auto pressure release system
Sample Holder	Standard fixture closure depth with Neck 17.8 to 18.3 mm Closure ID 21.4 to 21.74 mm

**Highlights:**

Material	Anodized aluminum, High Tensile Plexiglass and Stainless Steel
Finish	Powder coated Havel Gray & Blue combination finish and bright chrome / zinc plating for corrosion resistant finish
Dimensions	370x430x650mm

- High pressure regulated air line not in our scope of supply

**Optional Features :**

- Bottle Neck Cutter for cutting finish of upto 40 mm closure necks.
- Closure fixture other size available as per requirement.

Thank you customers for choosing us as your partners in growth !



\*All the above logos are the sole property of their respective owners and are used purely for depiction purposes only.

**OUR OTHER PRODUCTS :-**



**Head Office :** Presto Stantest Private Limited

I-42, DLF Industrial Area Phase-I, Delhi Mathura Road, Faridabad 121003, Haryana, India  
 P : +91 129 4272727 E : info@prestogroup.com

**Branches :**

**Mumbai**

503-504B, Fair link Centre, Opp. Fame Adlab  
 Behind Mongini's Off Link Road  
 Andheri (West), Mumbai 400058  
 P : +91 022 42957052, 42957053  
 E : west@prestogroup.com

**Kolkata**

93, 3<sup>rd</sup> Floor, Karnani Estate  
 209, A.J.C. Bose Road  
 Kolkata-700017. West Bengal  
 P : +91 033 40612012  
 E : east@prestogroup.com

**Chennai**

A-3, First Floor, Sri Sathya Sai Building  
 755, Poonamallee High Road, Kilpauk  
 Chennai- 600 010. Tamil Nadu  
 P : +91 044 43865260, 43838372  
 E : south@prestogroup.com

