



Melt Flow Index - Next Generation Model



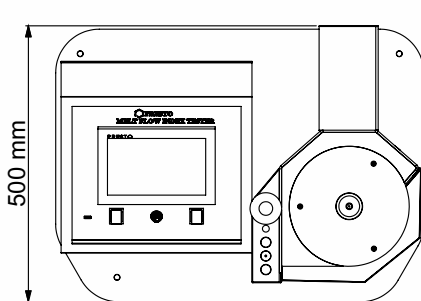
Model No. MFI-NXG

Melt Flow Index Tester – Next Generation Model is a consistent tool useful for checking the flow properties of molten plastics/resins. PRESTO Melt Flow Index Tester is manufactured under various Test Standards ASTM D 1238-1992, IS 2267-1972, IS 2530-1963, IS 10810-1984.

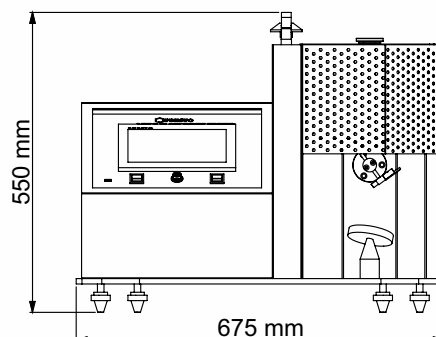
Other model available are Melt Flow Index Tester – Deluxe Model with Digital PID Controller.

- HMI based Touchscreen Model
- Inbuilt Calculator for calculating the MFI Valve
- Microprocessor based inbuilt PID controller
- Automatic sample cutting
- Temperature setting and Preset Timer functions incorporated in HMI for accuracy and repeatability
- Die Steel barrel for uniform and consistent heating of barrel/test cylinder.
- Temperature Vs Time graph of the output
- Program profile for selecting test parameters and performing the test.
- Easy Data Management. User can create product identification, test temperature, time etc.
- USB option available for storing test data (Pen drive not a part of offer)
- Data output in graphical and data record format.
- Current test running status display

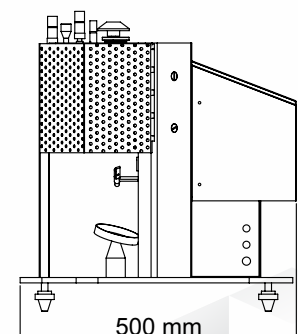
Melt Flow Index is defined as the rate of flow of extrudate of molten resins through a jet of a specific length and diameter under prescribed conditions of temperature, load and piston position inside a heated metallic barrel. Melt flow Index of thermoplastic material is expressed in terms of grams per 10 min of extrudate of molten resins that flow through the heated cylindrical barrel.



Top View



Front View



Side View



Presto Stantest Pvt. Ltd.

I-42, DLF Industrial Area Phase-1, Delhi Mathura Road, Faridabad 121003, Haryana, India
 P : 9210 903 903, +91 129 4272727, 93111 24302 E : info@prestogroup.com



- Faridabad • Sonipat • Kolkata • Mumbai • Pune • Ahmedabad
- Chennai • Bangalore • Hyderabad

www.prestogroup.com

Key Specifications:

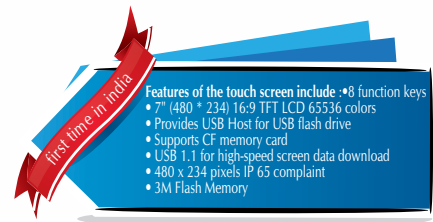
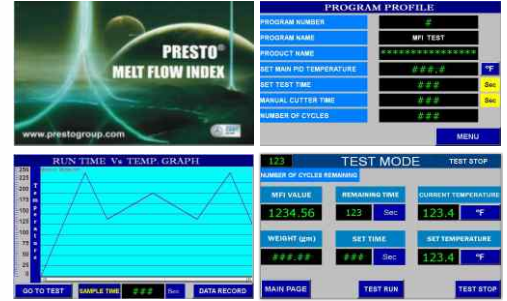
Display	HMI Based touchscreen 7"
Temperature Range	Ambient to 400° C
Accuracy	± 1°C
Least Count/Resolution	0.1°C
Power	220V , Single phase, 50 Hz
Sample Cutting	Automatic Motorized
Temperature Control	Inbuilt PID Temperature Controller
Timer	Inbuilt in HMI Preset Timer upto 999 sec.
Inner Diameter of heating barrel(cylinder)	9.550mm ± 0.007mm
Inner Diameter of Die	2.095mm ± 0.005mm
Diameter of piston head	9.474mm ± 0.007
Material of Heating Barrel(Cylinder)	Die Steel
Sample Cutting Motor	Torque 7Kg/cm ² , 60RPM

Highlights:

No. of Dead Weights	4 (1.2kg, 2.16kg, 3.8kg, 5kg)
Material	Mild Steel
Finish	Powder coated Havel Gray & Blue combination finish and bright chrome / zinc plating for corrosion resistant finish
Dimensions	675x 500x 550 mm

Optional Features:

- Melt Flow Index Deluxe model also available.
- Digital Weighing balance available as an optional accessory.
- The Melt Flow Index in grams per 10min. of the test specimen can be calculated on the HMI screen with In-built calculator facility.
- Other specific deadweight also available on request



Standard Accessories :-

- Orifice Inbuilt - 1
- Funnel - 1
- Mirror with stand - 1
- Piston - 1
- Deadweight - 4
- Orifice cleaner - 1
- Barrel cleaner - 1
- Material Charger - 1
- Plumb line - 1
- Spool - 1

Thank you customers for choosing us as your partners in growth !



*All the above logos are the sole property of their respective owners and are used purely for depiction purposes only.

OUR OTHER PRODUCTS :-



www.prestogroup.com

